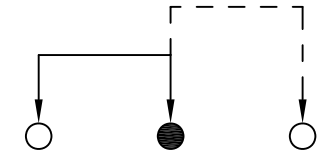
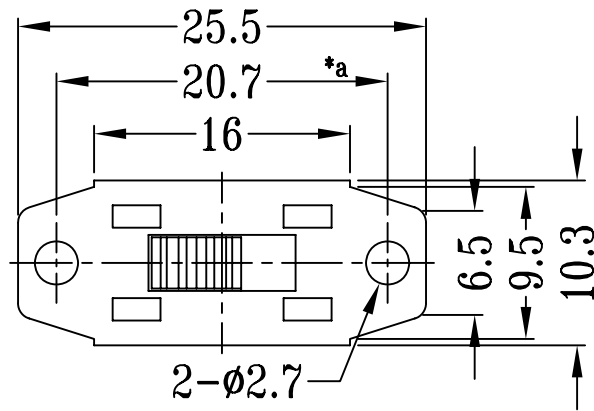
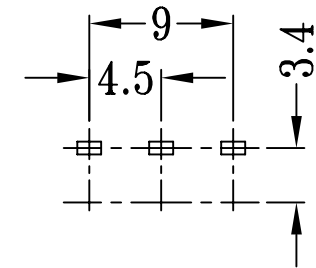
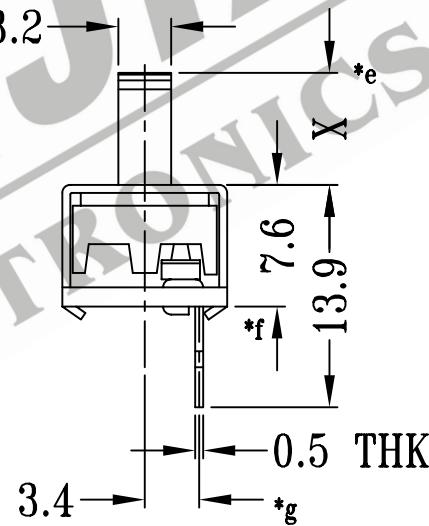
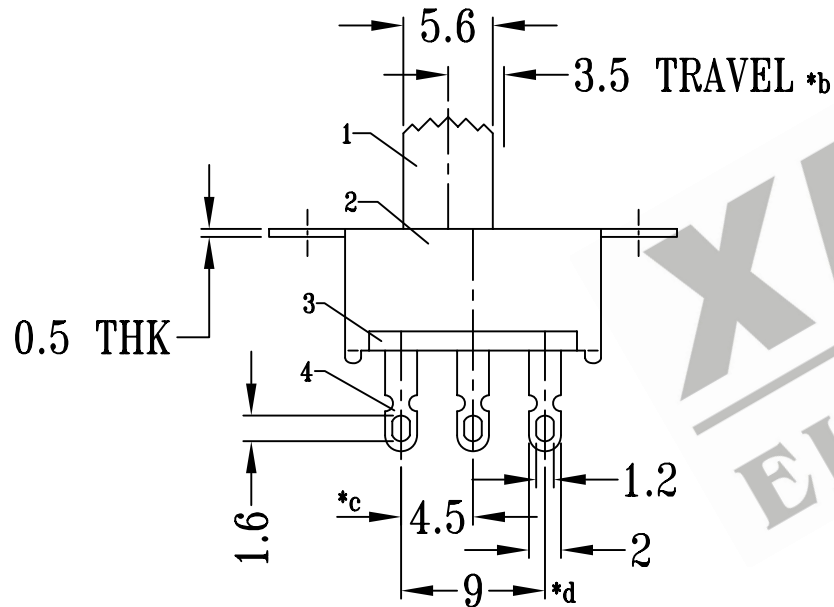


CAD FILE:



**SCHEMATIC (NON-SHORTING)**



**P.C.B LAYOUT**

注:带"\*"表示关键尺寸(7个)

					TOLERANCE UNLESS SPECIFIED	SHENZHEN XIEJIA ELECTRONICS CO.,LTD.				
					WITHIN: 1.5±0.1mm	ISSUE	DATE	DESCRIPTIONS		APPD.
					OVER : 1.5±0.2mm					
8										
7										
6	SPRING PLATE	PBS STRIP	1	NATURAL						
5	CONTACT CLIP	COPPER STRIP	1	Ag PLATED						
4	TERMINAL	COPPER STRIP	3	Ag PLATED OVER Ni PLATED	TITLE : VERTICAL SLIDE SWITCH	UNIT : MM	DRWG NO.: XJ-DR-SS12G08-00			
3	BASE	PHENOLIC RESIN	1	BLACK	MODEL: SS-12G08	SCALE: 2:1	DWN.	ZHOUYU	2003-10-27	
2	FRAME	STEEL STRIP	1	Ni PLATED			CHK'D	FANGYING	2003-10-27	
1	KNOB	POM	1	BLACK	ALL MATERIALS MUST BE COMPLIANT TO ROHS			APPD.	KANGXINAN	2003-10-27
NO.	PART NAME	MATERIAL	Q'TY	FINISHING						